

ECo controller 0-10V

Controller for VILPE[®] ECo190, ECo220 and ECo250 roof fans

 **ECo**



Stepless control

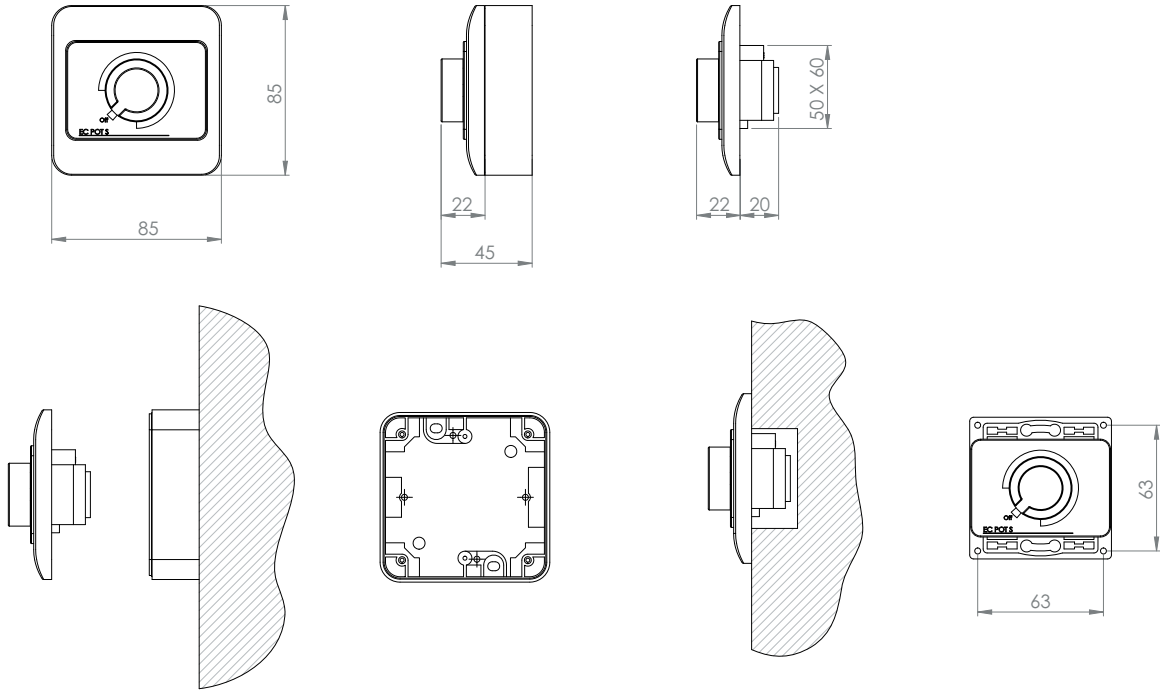
ECo controller is a manual stepless controller for the speed control of the motor of a VILPE[®] ECo roof fan. The controller gives out a control voltage of 0 - 10V with the minimum voltage being adjustable.

ECo controller is suited for surface and flush mounting, and due to its splash resistant casing it can be placed in damp environments, such as in the kitchen or the bathroom.

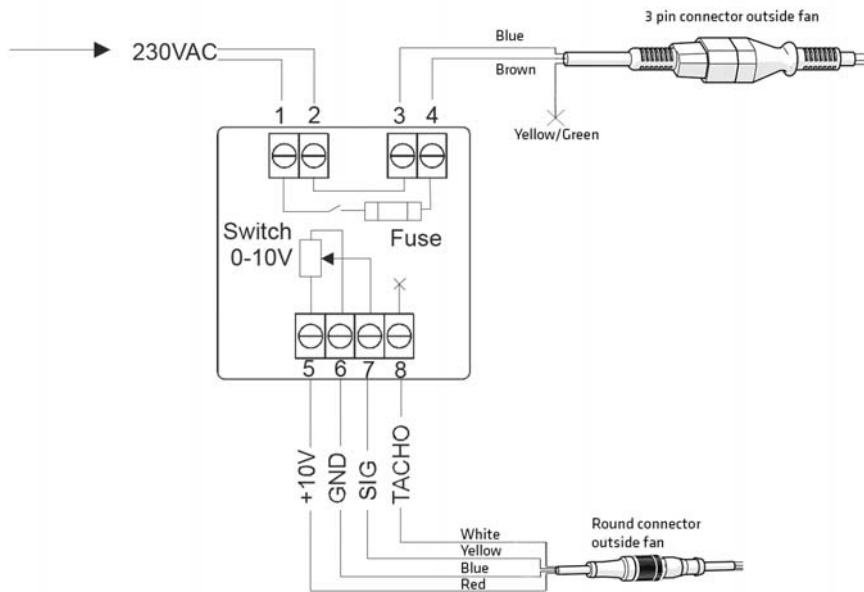
ECo controller can be used with S and P series VILPE[®] ECo190, ECo220 and ECo250 roof fans.

The 230V input for the roof fan can be switched off with the controller. The Controller doesn't require a separate input to operate as it uses the +10V operating voltage it gets from the roof fan.

Schematics and installation



Circuit diagram



Colour

White

Properties

- Voltage: 230V AC
- Control voltage: 0-10V
- Minimum voltage adjustable by internal trimmer: 0-1,6V DC
- Protection level: IP40/54
- Surface and flush mounting
- Operation temperature: 0...40 °C
- Splash resistant casing
- Internal 6,3A fuse for the 230V input of the roof fan

Product codes

NAME	COLOUR	PRODUCT CODE
VILPE® ECO CONTROLLER 0-10V	white	735028

› WWW.ALUROOFING.CO.UK

info@aluroofing.co.uk
hollie.sherry@aluroofing.co.uk
phil.brown@aluroofing.co.uk

Alu Roofing

SK Tuote Oy
Kauppatie 9,
FI-65610 Mustasaari
FINLAND

sk tuote oy