



# CATALOGUE 2019



## Best ventilation solutions

The story of our company began on April 1st 1974 when a new fastening innovation, mushroom-shaped fastener, was invented. One year later, the company SK Tuote Oy was founded and the new innovation let the newly-found company grow. In 1980s, VILPE® products became part of our product range and a part of Finnish landscape and construction culture.

Now it's even easier to associate VILPE® products with their manufacturer because SK Tuote changed its corporate name to VILPE Oy in September 2018. The name change brought clarity to our business. Now the company's corporate name will be visible on every action.

Despite of the name change, the core idea of our business has remained. We want to offer the best ventilation and special roofing supplies. We are constantly developing new innovations for changing needs of construction industry. We are excited about our newest innovation VILPE® IO which is an adjustable intake and exhaust air solution.

In 2019, we will continue launching FLOW products, known for their new level of performance. After the launch exhaust ventilation pipes, it's time for FLOW roof fans. ECo FLOW roof fans have a new integrated service switch which will ease the installation and maintenance.

FLOW roof fans are named after the duct size to facilitate the product selection. Just like all VILPE® products, both the production and R&D of FLOW products are in Finland. VILPE® products have a 20-year technical guarantee and a 10-year colour guarantee, which is a proof of outstanding VILPE® quality.

As a family business, we always think about the future, not just the next quarterly period. Sustainable development has been an important part of our actions for a long time. Solar panels installed in 2017 produce the electricity in our office in Mustasaari. The amount of solar power of our energy consumption is about 10 percent. VILPE's solar power station was the largest in Vaasa region at the end of 2018. In addition, we have started using environmentally-friendly LED lights.

We also pay attention to products' environmental impact and we attempt to reduce the amount of waste. We have also done the first MIPS calculations about the ecological footprint of products.

VILPE® brings better indoor air quality, energy efficiency and longevity of structures to all spaces. We look forward to coming years and new solutions.

We want to thank all our partners!

VILPE Oy



## Why VILPE®?

- ✓ **The most extensive range of products** and optimal storability
- ✓ **Alternatives for all types of roofing**
- ✓ **Complete sets:** installation tools and instructions included, guarantees for VILPE® assemblies
- ✓ **Installation:** quick and easy
- ✓ **Functionality:** totally waterproof end result
- ✓ **Aesthetics:** harmonious design and colours that go well with roofing materials
- ✓ **Durability:** 40 years of manufacturing experience
- ✓ **Exceptionally long warranty**

**Guaranteed VILPE® quality:**  
- 10 year aesthetic guarantee  
- 20 year technical guarantee  
- 2 + 3 year guarantee for electrical parts

FOR MORE INFORMATION

[www.aluroofing.co.uk](http://www.aluroofing.co.uk)

[info@aluroofing.co.uk](mailto:info@aluroofing.co.uk)



## Contacts

**UK Headquarter - Phil Brown**

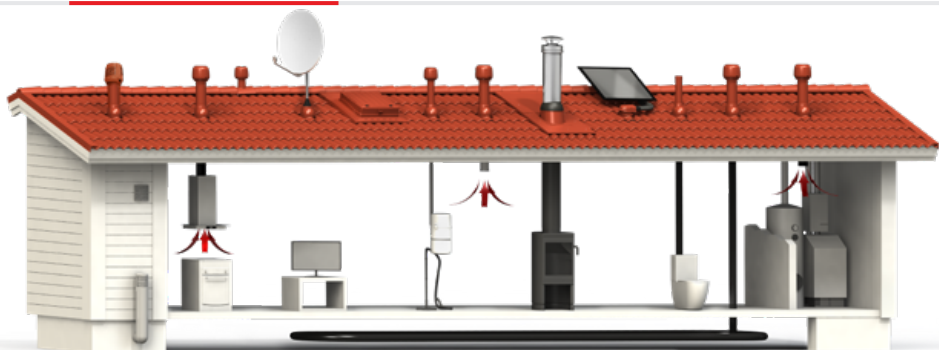
e-mail: [phil.brown@aluroofing.co.uk](mailto:phil.brown@aluroofing.co.uk)

tel: 01225 302010

**Sales Manager - Hollie Sherry**

e-mail: [hollie.sherry@aluroofing.co.uk](mailto:hollie.sherry@aluroofing.co.uk)

tel: 07342 848889



The VILPE® product family includes a complete selection of roof elements and terminal equipment for ventilation. VILPE® products form ensembles easy to assemble since all the installation tools and instructions are included in the sets. Uniquely long warranties only apply to ensembles with genuine VILPE® products.

### P-series for pitched roofs

The P-series roof fans and exhaust ventilation pipes can be led watertightly with a pass-through set through a roof. VILPE® pass-through sets can be installed on any roofs with the most common pitches. The pass-through set is always selected according to the roofing material of the roof. All the roof fans and exhaust ventilation pipes in the P-series are compatible with all pass-through set types. Using P-series XL roof fans and XL exhaust ventilation pipes requires an XL pass-through.



### S-series for flat surface installation

The S-series roof fans and exhaust vents are designed to be installed in the ventilation shaft, onto a silencer or in or other horizontal surface. Thus, they are also suitable for gently sloping roofs. The S-roof fans and S-exhaust vents are used, for example, in blocks of flats and terraced houses, when flat-specific ventilation is required. The S-series roof fan can also be used for modifying an old natural ventilation system into a mechanical one during renovation.



### C-series for steel cones

The C-series roof fans and exhaust ventilation pipes are used in the same way as P-series products in solutions where the pipe is led through a roof and a cone. The difference is that the C-series fans and exhaust ventilation pipes are installed on top of the sheet metal cone made by a sheet metal worker on the roof. The diameter of the upper part of the sheet metal cone has to be either Ø 170 mm or 315, according to the size of the roof fan or ventilation pipe.










### Products for low-pitched roofs

The VILPE® product family includes a wide selection of fasteners, sealings and underpressure vents for needs of various roofings. The Felt pass-throughs (tall) enable installing all the roof fans and exhaust ventilation pipes with diameter of 100–250 mm on low-pitched roofs. The backwater heights of pass-throughs are all according to regulations.



ECo Traditional Design Roof fans, P-series	6
E Traditional Design Roof fans, P-series	7
ECo Traditional Design Roof fans, S-series	8
E Traditional Design Roof fans, S-series	9
Quick selection for the VILPE® roof fans	10
ECo Ideal Wireless, Controllers, Service sets	11
Wiring diagrams for roof fans	13
Silent kitchen	14
Ventilation pipes	15
Ventilation pipes accessories	16
Exhaust vent pipes P-series	16
Exhaust vent pipes S-series	18
P-series pass-throughs	19
Alipai underpressure vents	23
Roof drains	24
General Terms of Sale	26

### VILPE® standard colours

	Reference colour
	Black RAL 9017
	Brown RAL 8017
	Green RAL 6020
	Grey RAL 7015
	Red RAL 3009
	Brick red RAL 8004
	Light grey RAL 7040

### Product listings

<b>Psc/pack</b>	How many items a pack contains. The number ordered must be divisible with this number.
<b>Psc/pallet</b>	How many items a pallet contains. Our pallets are EUR pallets (80 x 120 cm) with height of 120 cm unless stated otherwise.
<b>Delivery</b>	Stock/Order. Order means the product is manufactured only when ordered, which lengthens the delivery time slightly.



# ECo P-series Traditional Design

Colour Pcs/pack Pcs/pallet Delivery Product No.

## VILPE® ECO110P/Ø110/500 ROOF FAN

**Description:** Energy-efficient roof fan with a DC motor for radon ventilation. Also suitable for ventilating an ecological toilet. The motor is specially protected and preadjusted to 3V. If necessary, can be adjusted with the potentiometer situated in the cowl of the roof fan. Separate controller is not needed. A VILPE® pass-through according to the roofing material is required separately.

**Dimensions:** Duct size Ø 110 mm, external Ø 160 mm, height 500 mm.

**Contents:** Roof fan, screws, installation, operating and maintenance instructions.

Black	1	12	Stock	737352
Brown	1	12	Order	737354
Green	1	12	Order	737356
Grey	1	12	Order	737357
Red	1	12	Order	737358
Brick Red	1	12	Order	737359



## VILPE® ECO190P/Ø125/500 ROOF FAN

**Description:** Energy-efficient insulated roof fan with a DC motor, controlled with a 0-10 V voltage. The pipe has a built-in silencer. Inner pipe is made of galvanized sheet metal and has a lip seal. A VILPE® ECo Controller and a VILPE® pass-through according to the roofing material are required separately.

**Dimensions:** Duct size Ø 125 mm, external Ø 225 mm, height above roof approx. 500 mm.

**Contents:** Roof fan, screws, installation, operating and maintenance instructions.

Black	1	24*	Stock	737342
Brown	1	12	Stock	737344
Green	1	12	Order	737346
Grey	1	12	Stock	737347
Red	1	12	Order	737348
Brick Red	1	12	Stock	737349
Light Grey	1	12	Order	737341
Anthracite	1	12	Order	73734G



## VILPE® ECO220P/Ø160/500 ROOF FAN

**Description:** Energy-efficient insulated roof fan with a DC motor, controlled with a 0-10 V voltage. Inner pipe is made of galvanized sheet metal and has a lip seal. A VILPE® ECo Controller and a VILPE® pass-through according to the roofing material are required separately.

**Dimensions:** Duct size Ø 160 mm, external Ø 225 mm, height above roof approx. 500 mm.

**Contents:** Roof fan, screws, installation, operating and maintenance instructions.

Black	1	24*	Stock	737382
Brown	1	12	Stock	737384
Green	1	12	Order	737386
Grey	1	12	Stock	737387
Red	1	12	Order	737388
Brick Red	1	12	Stock	737389
Light Grey	1	12	Order	737381
Anthracite	1	12	Order	73738G



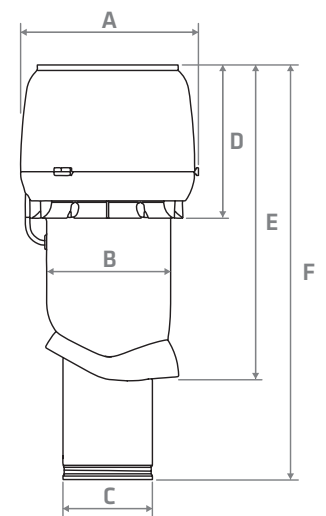
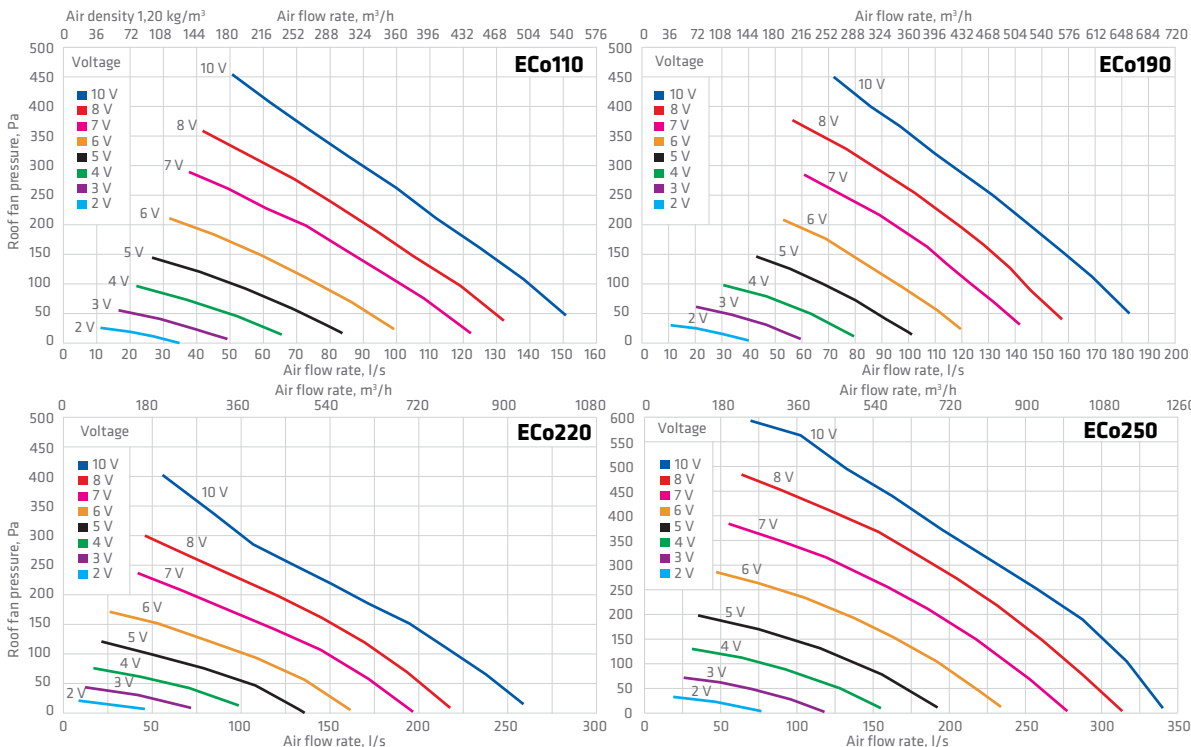
## VILPE® ECO250P/Ø200/500 XL ROOF FAN

**Description:** Energy-efficient insulated XL roof fan with a DC motor, controlled with a 0-10 V voltage. Inner pipe is made of perforated, galvanized sheet metal and has a lip seal. A VILPE® ECo Controller and a VILPE® XL pass-through according to the roofing material are required separately.

**Dimensions:** Duct size Ø 200 mm, external Ø 300 mm, height above roof approx. 500 mm.

**Contents:** Roof fan, screws, Installation, operating and maintenance instructions.

Black	1	6	Stock	737442
Brown	1	6	Order	737444
Green	1	6	Order	737446
Grey	1	6	Order	737447
Red	1	6	Order	737448
Brick Red	1	6	Order	737449



mm	A	B	C	D	E	F
ECO110	257	160	110	221	574	761
ECO190	310	225	125	273	564	738
ECO220	310	225	160	273	564	738
ECO250XL	400	305	200	370	622	755



**VILPE® E120P/Ø125/500 ROOF FAN**

**Description:** Insulated roof fan. Inner pipe is made of galvanized steel and has a lip seal. A VILPE® pass-through according to the roofing material is required separately.

**Dimensions:** Duct size Ø 125 mm, external Ø 160 mm, height above roof approx. 500 mm.

**Contents:** Roof fan, screws, installation, operating and maintenance instructions.

**VILPE® E190P/Ø125/500 ROOF FAN**

**Description:** Insulated roof fan. The pipe has a 50-mm built-in silencer. Inner pipe is made of perforated, galvanized steel and has a lip seal. A VILPE® pass-through according to the roofing material is required separately.

**Dimensions:** Duct size Ø 125 mm, external Ø 225 mm, height above roof approx. 500 mm.

**Contents:** Roof fan, screws, installation, operating and maintenance instructions.

**VILPE® E220P/Ø160/500 ROOF FAN**

**Description:** Insulated roof fan. Inner pipe is made of galvanized sheet metal and has a lip seal. A VILPE® pass-through according to the roofing material is required separately.

**Dimensions:** Duct size Ø 160 mm, external Ø 225 mm, height above roof approx. 500 mm.

**Contents:** Roof fan, screws, installation, operating and maintenance instructions.

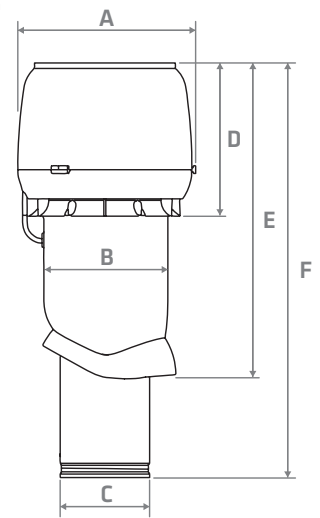
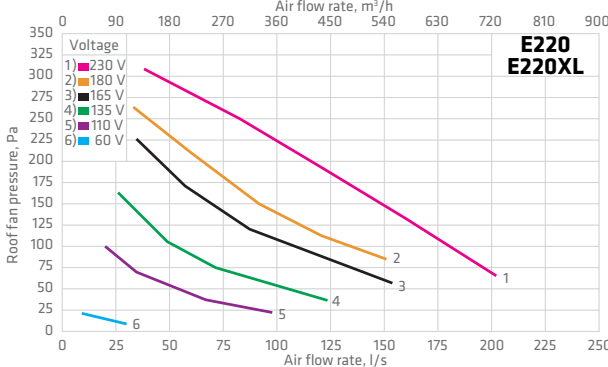
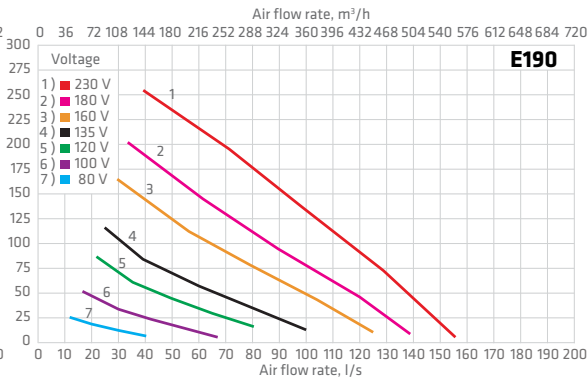
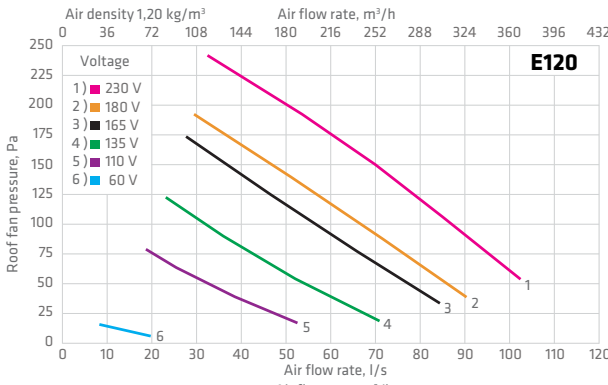
**VILPE® E220P/Ø160/500 XL ROOF FAN**

**Description:** Insulated XL roof fan. Inner pipe is made of galvanized sheet metal and has a lip seal. A VILPE® XL pass-through according to the roofing material is required separately.

**Dimensions:** Duct size Ø 160 mm, external Ø 300 mm, height above roof approx. 500 mm.

**Contents:** Roof fan, screws, Installation, operating and maintenance instructions.

Colour	Pcs/pack	Pcs/pallet	Delivery	Product No.
Black	1	24*	Stock	73492
Brown	1	24*	Stock	73494
Green	1	12	Order	73496
Grey	1	24*	Stock	73497
Red	1	24*	Order	73498
Brick Red	1	24*	Stock	73499
Light Grey	1	12	Order	73491
Black	1	24*	Stock	73592
Brown	1	24*	Stock	73594
Green	1	12	Order	73596
Grey	1	24*	Stock	73597
Red	1	12	Stock	73598
Brick Red	1	12	Stock	73599
Black	1	24*	Stock	73472
Brown	1	24*	Stock	73474
Green	1	24*	Order	73476
Grey	1	12	Stock	73477
Red	1	12	Stock	73478
Brick Red	1	24*	Stock	73479
Light Grey	1	24*	Order	73471
Black	1	6	Order	734502
Brown	1	6	Order	734504
Green	1	6	Order	734506
Grey	1	6	Order	734507
Red	1	6	Order	734508
Brick Red	1	6	Order	734509



mm	A	B	C	D	E	F
E120	257	160	125	221	576	724
E190	310	225	125	273	564	738
E220	310	225	160	273	564	738
E220XL	400	305	160	370	622	755



# ECo S-series Traditional Design

## VILPE® ECO110S/Ø110 ROOF FAN + INSTALLATION SET

**Description:** Energy-efficient roof fan with a DC motor for radon ventilation. Also suitable for ventilating a garage or an ecological toilet. Compatible for VILPE® 110 mm insulated pipe or other pipe with external dimensions Ø 160 mm. The motor is specially protected and preadjusted to 3V. If necessary, can be adjusted in a potentiometer situated in the cowl of the roof fan. Separate controller is not needed. An installation set for a flat surface is included.  
**Dimensions:** Duct size Ø 110 mm, (installation set 250 x 250 mm, installation area must be at least the same size).  
**Contents:** Roof fan, installation set, screws, Installation, operating and maintenance instructions.

Colour	Pcs/pack	Pcs/pallet	Delivery	Product No.
Black	1	12	Stock	737532
Brown	1	12	Stock	737534
Green	1	12	Order	737536
Grey	1	12	Stock	737537
Red	1	12	Stock	737538
Brick Red	1	12	Stock	737539
Light Grey	1	12	Order	737531



## VILPE® ECO190S/Ø125 ROOF FAN + INSTALLATION SET

**Description:** Energy-efficient roof fan with a DC motor for the top of an air conduit or silencer, controlled with a 0-10 V voltage. An installation set for a flat surface is included. VILPE® ECo Controller is available separately.  
**Dimensions:** Duct size Ø 125 mm, (installation set 300 x 300 mm, installation area must be at least the same size).  
**Contents:** Roof fan, installation set, screws, Installation, operating and maintenance instructions.

Black	1	12	Stock	737512
Brown	1	12	Stock	737514
Green	1	12	Order	737516
Grey	1	12	Stock	737517
Red	1	12	Stock	737518
Brick Red	1	12	Stock	737519
Light Grey	1	12	Order	737511



## VILPE® ECO220S/Ø160 ROOF FAN + INSTALLATION SET

**Description:** Energy-efficient roof fan with a DC motor for the top of an air conduit or silencer, controlled with a 0-10 V voltage. An installation set for a flat surface is included. VILPE® ECo Controller is available separately.  
**Dimensions:** Duct size Ø 160 mm, (installation set 300 x 300 mm, installation area must be at least the same size).  
**Contents:** Roof fan, installation set, screws, Installation, operating and maintenance instructions.

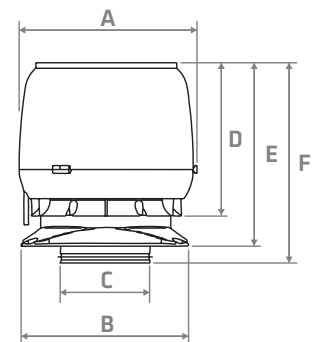
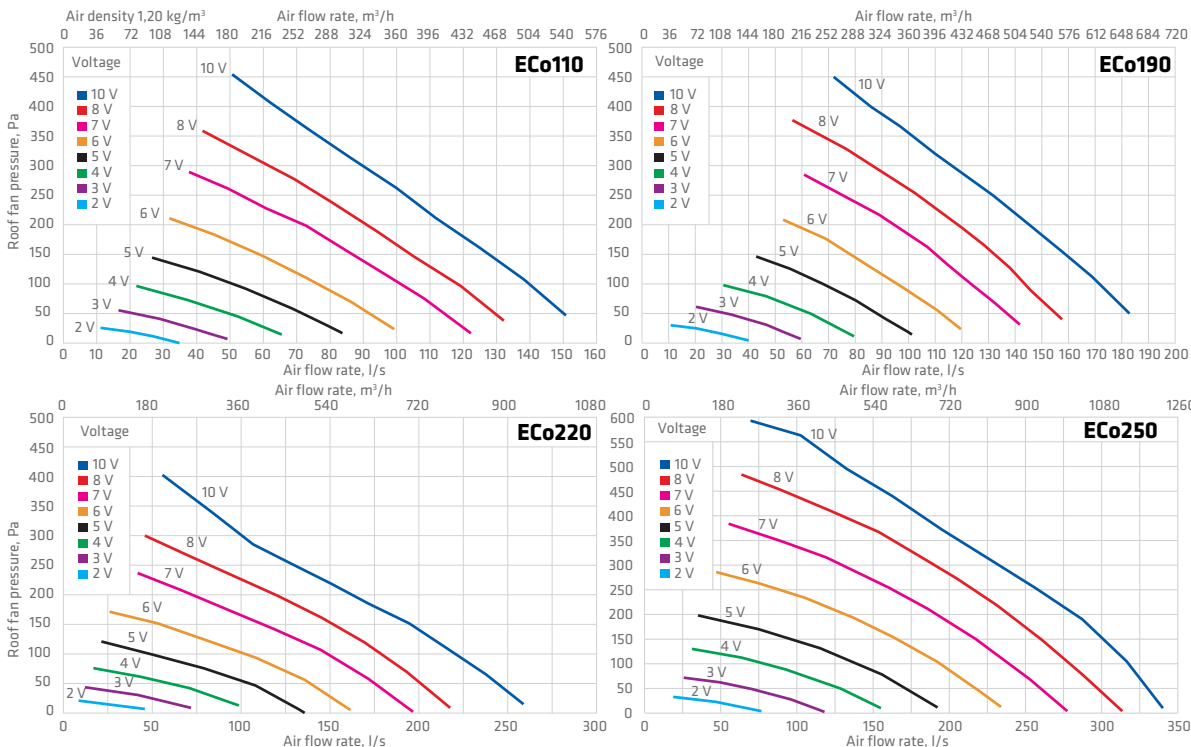
Black	1	12	Stock	737392
Brown	1	12	Stock	737394
Green	1	12	Order	737396
Grey	1	12	Stock	737397
Red	1	12	Order	737398
Brick Red	1	12	Stock	737399
Light Grey	1	12	Order	737391



## VILPE® ECO250S/Ø200 XL ROOF FAN + INSTALLATION SET

**Description:** Energy-efficient insulated roof fan with a DC motor for the top of an air conduit or silencer, controlled with a 0-10 V voltage. An installation set for installation on a flat surface is included. VILPE® ECo Controller is available separately.  
**Dimensions:** Duct size Ø 200 mm, (installation set 400 x 400 mm, installation area must be at least the same size).  
**Contents:** Roof fan, installation set, screws, Installation, operating and maintenance instructions.

Black	1	8	Stock	737452
Brown	1	8	Order	737454
Green	1	8	Order	737456
Grey	1	8	Stock	737457
Red	1	8	Order	737458
Brick Red	1	8	Order	737459



mm	A	B	C	D	E	F
ECO110	257	250	125	221	269	322
ECO190	310	300	125	273	328	351
ECO220	310	300	160	273	328	358
ECO250XL	400	395	200	370	444	481





# E S-series Traditional Design

Colour	Pcs/pack	Pcs/pallet	Delivery	Product No.
Black	1	12	Stock	737202
Brick Red	1	12	Stock	737209
Brown	1	12	Stock	737204
Green	1	12	Order	737206
Grey	1	12	Stock	737207
Red	1	12	Stock	737208
Light Grey	1	12	Order	737201



## VILPE® E120S/Ø125 ROOF FAN + INSTALLATION SET

**Description:** Roof fan installed on the top of an air conduit or silencer. An installation set for a flat surface is included.

**Dimensions:** Duct size Ø 125 mm, (installation set 250 x 250 mm, installation area must be at least the same size).

**Contents:** Roof fan, installation set, screws, Installation, operating and maintenance instructions.

Black	1	12	Stock	737522
Brown	1	12	Stock	737524
Green	1	12	Order	737526
Grey	1	12	Stock	737527
Red	1	12	Order	737528
Brick Red	1	12	Stock	737529
Light Grey	1	12	Order	737521



## VILPE® E190S/Ø125 ROOF FAN + INSTALLATION SET

**Description:** Roof fan installed on the top of an air conduit or silencer. An installation set for a flat surface is included.

**Dimensions:** Duct size Ø 125 mm, (installation set 300 x 300 mm, installation area must be at least the same size).

**Contents:** Roof fan, installation set, screws, Installation, operating and maintenance instructions.

Black	1	12	Stock	737502
Brown	1	12	Stock	737504
Green	1	12	Order	737506
Grey	1	12	Stock	737507
Red	1	12	Order	737508
Brick Red	1	12	Stock	737509
Light Grey	1	12	Order	737501

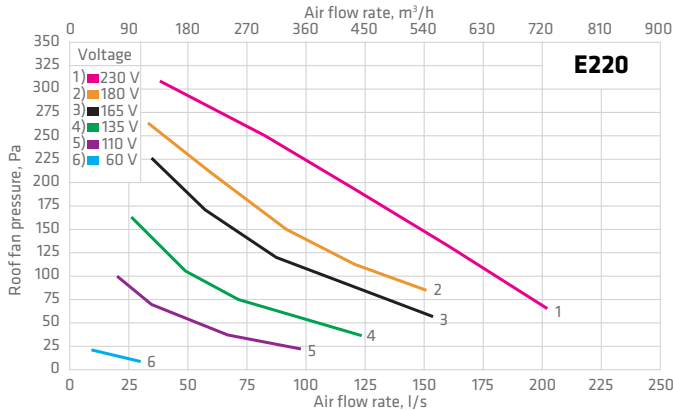
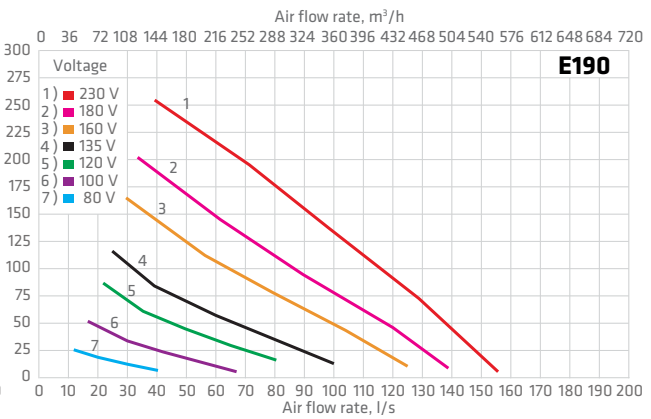
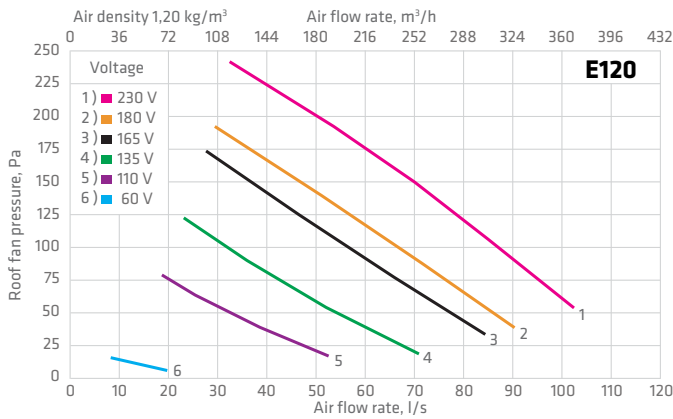


## VILPE® E220S/Ø160 ROOF FAN + INSTALLATION SET

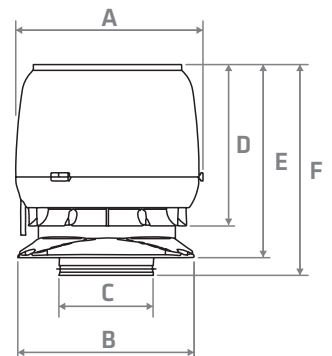
**Description:** Roof fan installed on the top of an air conduit or silencer. An installation set for a flat surface is included.

**Dimensions:** Duct size Ø 160 mm, (installation set 300 x 300 mm, installation area must be at least the same size).

**Contents:** Roof fan, installation set, screws, Installation, operating and maintenance instructions.



mm	A	B	C	D	E	F
E120	257	250	125	221	269	322
E190	310	300	125	273	328	351
E220	310	300	160	273	328	358



## Quick selection for the VILPE® roof fans

### Selecting a roof fan for residential ventilation

A general recommendation is that the indoor air should be substituted completely every other hour. The exhaust air, removed by the roof fan, is replaced with fresh air coming in through ventilators in various rooms.

A rule of thumb is that a ducting system of a 120–150 m<sup>2</sup> house has a loss of compression of ca 100 Pa. A fast way to calculate the accurate loss of compression in pascals is to calculate 5 Pa per meter of ducting (including terminal equipment of ducting, bends, etc.)

The loss of compression (Pa) depends on the length and diameter of piping but also on the number of corners and the speed of airflow. Recommended ventilation is achieved with the roof fan functioning at 70% of maximum capacity.

The table is indicative only.

m<sup>2</sup> maximum size

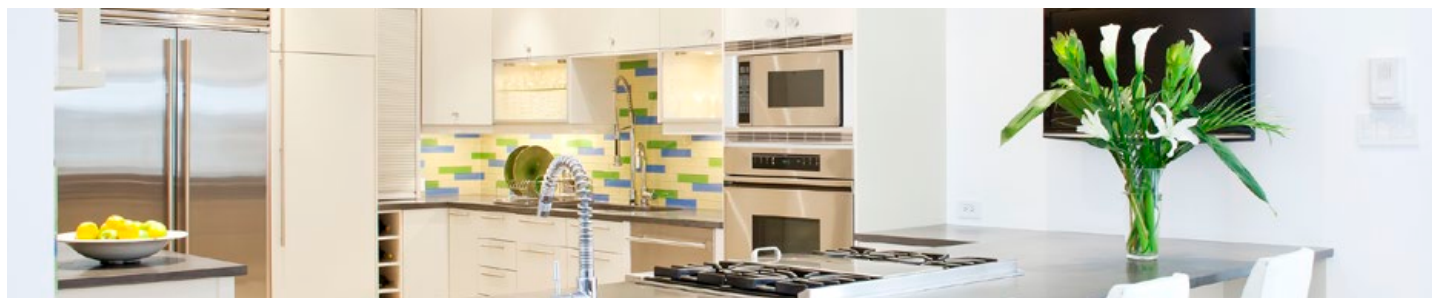
Roof fan	Duct	50 Pa	100 Pa	150 Pa
ECo190	Ø 125 mm	360 m <sup>2</sup>	340 m <sup>2</sup>	310 m <sup>2</sup>
ECo220	Ø 160 mm	490 m <sup>2</sup>	440 m <sup>2</sup>	390 m <sup>2</sup>
ECo250	Ø 200 mm	660 m <sup>2</sup>	630 m <sup>2</sup>	600 m <sup>2</sup>
E120	Ø 125 mm	220 m <sup>2</sup>	180 m <sup>2</sup>	135 m <sup>2</sup>
E190	Ø 125 mm	270 m <sup>2</sup>	230 m <sup>2</sup>	180 m <sup>2</sup>
E220	Ø 160 mm	410 m <sup>2</sup>	360 m <sup>2</sup>	300 m <sup>2</sup>

### Selecting a roof fan for a cooker hood

Indoor air and ventilation recommendations (in Finland) state a cooker hood should work 25 litres of air per second. The noise level in the kitchen should not exceed 33 dB (or 43 dB if heightened). Accurate data on loss of compression in the cooker hood (and its ducts) should be available from the manufacturer.

The table is indicative only.

Roof fan	Duct	Free flow	50 Pa	100 Pa
ECo190	Ø 125 mm	190 l/s (684 m <sup>3</sup> /h)	182 l/s (655 m <sup>3</sup> /h)	171 l/s (616 m <sup>3</sup> /h)
ECo220	Ø 160 mm	257 l/s (925 m <sup>3</sup> /h)	245 l/s (882 m <sup>3</sup> /h)	223 l/s (803 m <sup>3</sup> /h)
ECo250	Ø 200 mm	340 l/s (1224 m <sup>3</sup> /h)	330 l/s (1188 m <sup>3</sup> /h)	320 l/s (1152 m <sup>3</sup> /h)
E120	Ø 125 mm	120 l/s (432 m <sup>3</sup> /h)	103 l/s (371 m <sup>3</sup> /h)	87 l/s (313 m <sup>3</sup> /h)
E190	Ø 125 mm	155 l/s (558 m <sup>3</sup> /h)	138 l/s (497 m <sup>3</sup> /h)	116 l/s (418 m <sup>3</sup> /h)
E220	Ø 160 mm	236 l/s (850 m <sup>3</sup> /h)	212 l/s (763 m <sup>3</sup> /h)	180 l/s (648 m <sup>3</sup> /h)



## Electrical data of roof fans

VILPE® model	Power input	Current	Voltage	Capacitor	Rotation speed
E120	52 W	0.23 A	230 V, 50 HZ	1.5 µF	2350 rpm
E190	52 W	0.23 A	230 V, 50 HZ	1.5 µF	2350 rpm
E220	85 W	0.38 A	230 V, 50 HZ	2 µF	2600 rpm
ECo110	83 W	0.75 A	230 V, 50 HZ	-	3200 rpm
ECo190	83 W	0.75 A	230 V, 50 HZ	-	3200 rpm
ECo220	85 W	0.70 A	230 V, 50 HZ	-	2580 rpm
ECo250	165 W	1.40 A	230 V, 50 HZ	-	2560 rpm

## Chimney fan

Pcs/pack Pcs/pallet Delivery Product No.

### VILPE® TI-17 CHIMNEY FAN

1

36

Stock

735098

**Description:** Suitable for fireplaces with max. 0.35 m<sup>2</sup> clear opening. The size of the flue can be min. 123 x 123 mm and max. 160 x 160 mm. The highest allowed temperature of the portable gas is 200°C.

**Contents:** Chimney fan.



WIRELESS CONTROL SYSTEM FOR VILPE® ECO ROOF FANS

# VILPE® ECo Ideal Wireless



## AUTOMATICALLY CONTROLS THE VENTILATION IN YOUR HOUSE

Whether you are renovating or building from scratch, the demand-controlled and energy saving *VILPE® Eco Ideal Wireless* is an excellent choice for an easy and budget-friendly implementation for your ventilation needs. *ECo Ideal Wireless* is well-suited for both old and new buildings and is an excellent solution for ventilation of warehouses and garages.

The ventilation control system automatically adjusts ventilation to always secure excellent air quality while at the same time saving energy. The product's wireless sensors measure the relative humidity (RH) and carbon dioxide (CO<sub>2</sub>) levels in the air and automatically send this information to the control unit.

*VILPE® Eco Ideal Wireless* system is an ideal solution if you wish to convert an existing natural ventilation system to a mechanical ventilation system. It is also an easy and cost-efficient opportunity to turn a mechanical ventilation system into a demand-controlled ventilation system that saves you both energy and money.

The *VILPE® Eco Ideal Wireless* ventilation solution comprises the *ECo Ideal Wireless* control unit and RH Sensor and, if necessary, a CO<sub>2</sub> Sensor. The *VILPE® Eco Ideal Wireless* system is used together with VILPE® Eco roof fan (and a potential VILPE® roof pass-through).



## DEMAND-CONTROLLED VENTILATION

- Automatically adjusted
- Wireless sensors and user panel
- Payback period 5 years
- Saves electricity\*
- VILPE® guarantees

## USAGE

- For builders and renovators
- Ventilation of humid spaces
- Ventilation of the garage
- Improving the efficiency of existing ventilation systems

\* Example: Ventilation of a 120 m<sup>2</sup> house with VILPE® Eco roof fan + *ECo Ideal Wireless* vs. ventilation with AC roof fan results in energy savings of 2600 kWh/y.

> [VILPE.COM/ECO](https://vilpe.com/eco)

## Controllers

### VILPE® ECO IDEAL WIRELESS VENTILATION CONTROL **NEW**

**Description:** Wireless control system for demand controlled ventilation. Can be used to control VILPE® ECo roof fans, Includes a control unit (CU) wireless user panel (UP) and a wireless relative humidity (RH) sensor. Carbon dioxide sensors (CO2) sold separately.

**Contents:** User Panel (UP), Control Unit (CU), Relative Humidity Sensor (RH), installation instructions.

Delivery

Product No.

Stock

735030



### VILPE® ECO IDEAL WIRELESS RH SENSOR **NEW**

**Description:** A Relative humidity sensor for the VILPE® ECo Ideal Wireless demand controlled ventilation system.

**Contents:** Relative humidity (RH) sensor, installation instructions

Stock

735031



### VILPE® ECO IDEAL WIRELESS CO2 SENSOR **NEW**

**Description:** A Carbon dioxide sensor for the VILPE® ECo Ideal Wireless demand controlled ventilation system.

**Contents:** Carbon dioxide (CO2) sensor, installation instructions.

Stock

735032



### VILPE® ECo MONITOR DRIVE CONTROLLER

**Description:** For monitoring and control of VILPE® ECo roof fans. Can monitor rotation speed signals from 1 - 5 fans. Isolated alarm output and a faulty fan LED. Optional 0 - 10 V input for speed control, adjustable by an internal trimmer from 0 - 100 %. 10 V 1 mA operating voltage that can be provided from the fan (Patent 2431303).

**Contents:** ECo Monitor, instructions.

Stock

735029



### VILPE® ECO CONTROLLER 0-10V

**Description:** Stepless ECo Controller for manual control of the rotation speed of the motors of VILPE® ECo roof fans. The controller provides the 0-10 V output signal and the minimum is adjustable. The splash proof ECo Controller is suited for both flush and surface mounting.

**Contents:** Controller.

Stock

735028



### VILPE® CONTROLLER 2299 AG

**Description:** For adjusting the rotation speed of a roof fan. Surface mounting. IP 44.

**Contents:** Controller.

Stock

735022



### VILPE® CONTROLLER 2299 UCJ

**Description:** For adjusting the rotation speed of a roof fan. Flush mounting. IP 20.

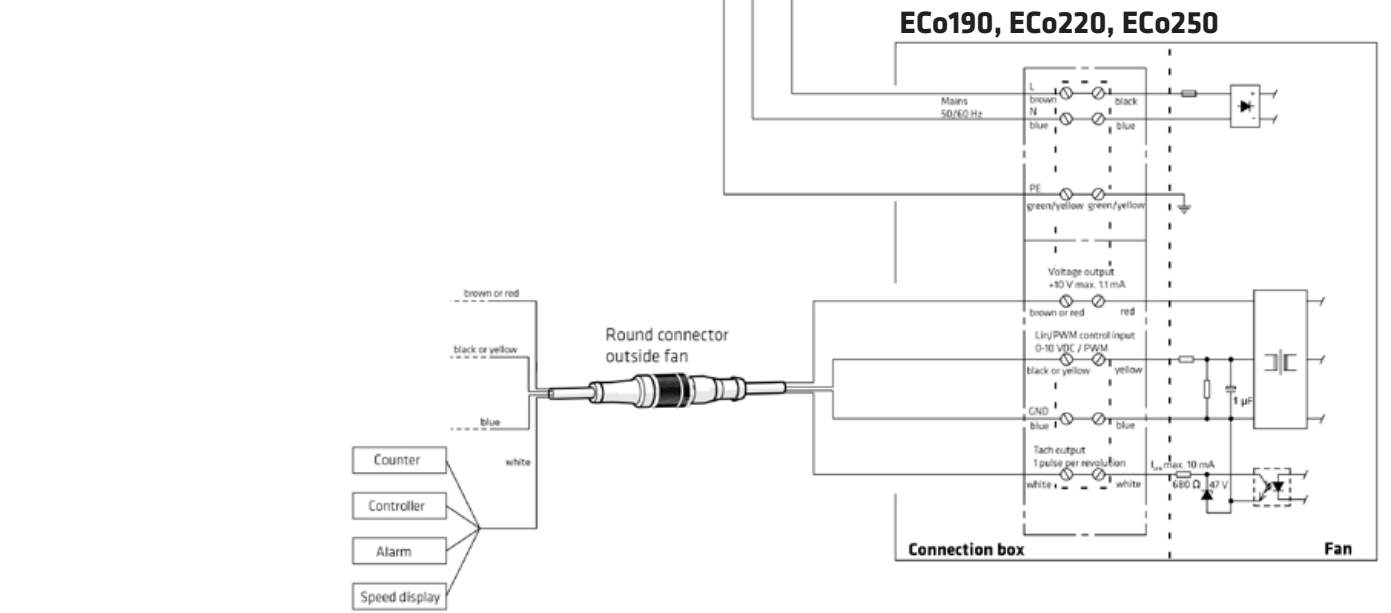
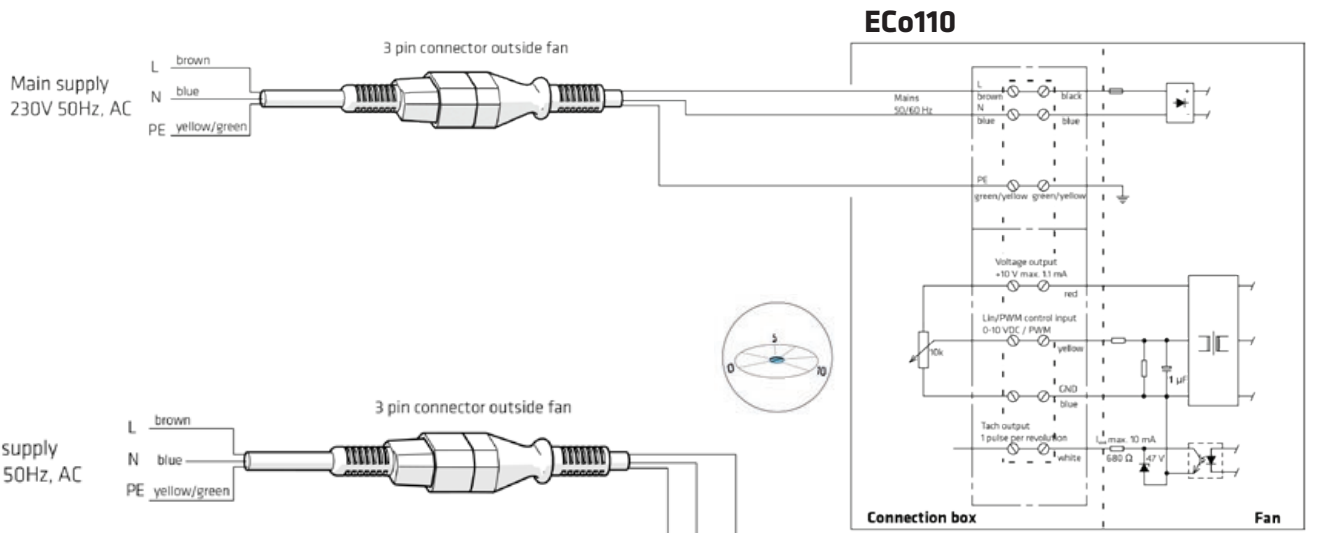
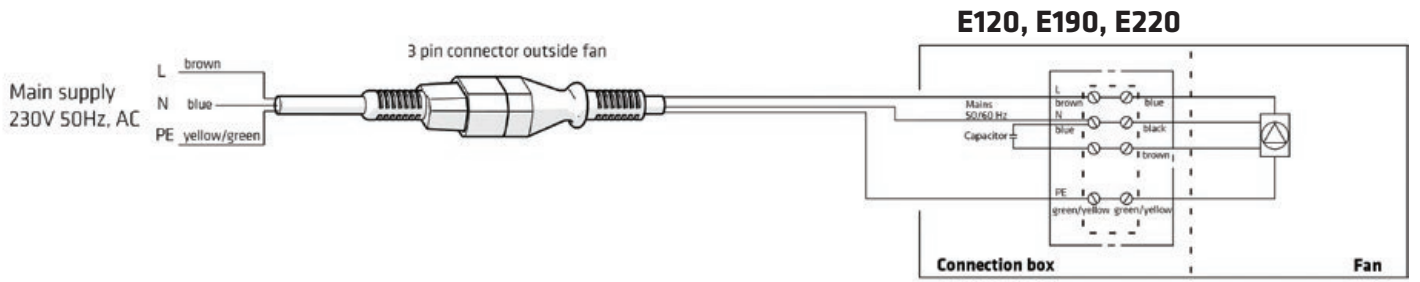
**Contents:** Controller.

Stock

735024



# Wiring diagrams for roof fans



## IS THE COOKER HOOD IN THE VILPE® SILENT KITCHEN

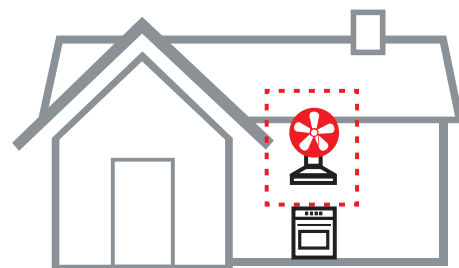
### A KITCHEN COOKER HOOD WITHOUT A BUILT-IN MOTOR AND CONNECTED TO A VILPE® ROOF FAN IS A PERFECTLY SILENT KITCHEN.

In this customized solution the function of a traditional motor working in the cooker hood right over our head is taken over by the motor installed in the roof fan. This system, in addition to its high efficiency, allows for the complete minimization of noise resulting from the work of a traditional cooker hood. Therefore it fully deserves its name.

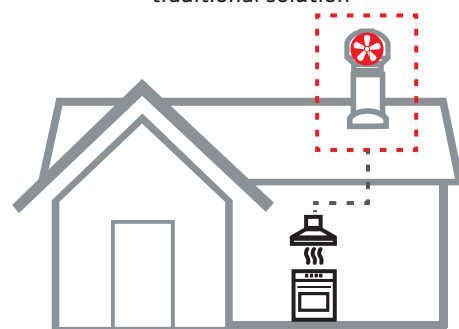
Even the most silent and modern kitchen cooker hoods are not able to provide us with such comfort as the connection of the VILPE® fan to the motorless cooker hood. Silent operation is not the only advantage of this solution. Another one is its efficiency. Thanks to the underpressure created all the way through the ventilation duct, the strength of extraction of the contaminated air is much greater here than in traditional hoods.

### ADDITIONAL INFORMATION:

[SILENTKITCHENVILPE.COM](http://SILENTKITCHENVILPE.COM)



Kitchen cooker hood  
- traditional solution



Kitchen cooker hood and a fan  
on the roof - silent kitchen





# P-Series Ventilation pipes

**Colour**      **Pcs/pack**   **Pcs/pallet**   **Delivery**      **Product No.**

## VILPE® 110P/300 VENTILATION PIPE + COWL

**Description:** Uninsulated ventilation pipe with a cowl. A pass-through according to the roofing material is required separately.  
**Dimensions:** Duct size Ø 110 mm, height above roof approx. 500 mm.  
**Contents:** Ventilation pipe, screws, cowl.

Black	11	88*	Stock	741302
Brown	11	88*	Stock	741304
Green	11	44	Stock	741306
Grey	11	88*	Stock	741307
Red	11	88*	Stock	741308
Brick Red	11	88*	Stock	741309
Light Grey	11	44	Stock	741301
Anthracite	11	88*	Order	74130G



## VILPE® 110P/IS/350 VENTILATION PIPE + COWL

**Description:** Insulated ventilation pipe with a cowl. A pass-through according to the roofing material is required separately.  
**Dimensions:** Duct size Ø 110 mm, height above roof approx. 500 mm.  
**Contents:** Ventilation pipe, screws, cowl.

Black	6	48*	Stock	741402
Brown	6	48*	Stock	741404
Green	6	24	Order	741406
Grey	6	48*	Stock	741407
Red	6	48*	Order	741408
Brick Red	6	24	Stock	741409



## VILPE® 110P/300 VENTILATION PIPE

**Usage:** Uninsulated ventilation pipe without a cowl. A pass-through according to the roofing material is required separately. A VILPE® Cowl-110 is required for ventilation of attic space and roof structures.  
**Dimensions:** Duct size Ø 110 mm, height above roof approx. 300 mm.  
**Contents:** Ventilation pipe, screws.

Black	20	80	Order	74122
Brown	20	80	Order	74124
Green	20	80	Order	74126
Grey	20	80	Order	74127
Red	20	80	Order	74128
Brick Red	20	80	Order	74129
Light Grey	20	80	Order	74121



## VILPE® 110P/IS/350 VENTILATION PIPE

**Usage:** Insulated sewer ventilation pipe. A pass-through according to the roofing material is required separately, and a VILPE® Flex pipe if needed. If used as a radon ventilator, a VILPE® Cowl 160 is needed.  
**Dimensions:** Duct size Ø 110 mm, height above roof approx. 350 mm.  
**Contents:** Ventilation pipe, screws.

Black	10	48	Stock	74132
Brown	10	48	Stock	74134
Green	10	48	Order	74136
Grey	10	48	Stock	74137
Red	10	48	Order	74138
Brick Red	10	48	Order	74139



## VILPE® 160P/500 VENTILATION PIPE

**Usage:** Uninsulated ventilation pipe without a cowl. A pass-through according to the roofing material is required separately. VILPE® AP Cowl 160 is required for ventilation of attic space and roof structures.  
**Dimensions:** Duct size Ø 160 mm, height above roof approx. 500 mm.  
**Contents:** Ventilation pipe, screws.

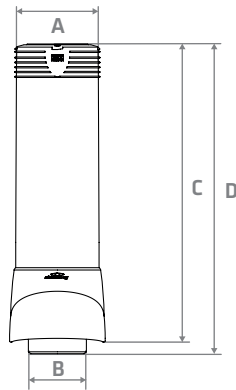
Black	10	40	Stock	74160
Brown	10	40	Stock	741604
Grey	10	40	Stock	741607
Red	10	40	Order	741608
Brick Red	10	40	Stock	741609



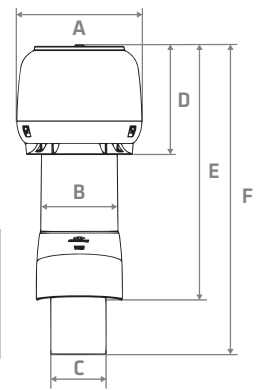


## P-Series Ventilation pipes

mm	A	B	C	D
110P/300	105	110	352	375
110P/15/350	160	109	390	580
160P/500	160	160	590	590



mm	A	B	C	D	E	F
110P/300 FLOW	202	110	110	244	499	522
110P/300	202	110	110	178	485	508
110P/15/350 FLOW	256	158	110	325	608	638
110P/15/350	256	158	110	221	508	530



## Ventilation pipe accessories

Colour Pcs/pack Pcs/pallet Delivery Product No.

### VILPE® COWL 110

**Description:** Rain cowl for a VILPE® pipe with external dimensions Ø 110 mm (uninsulated Ø 110 mm pipe).

**Contents:** Cowl.

Black	24	96	Stock	731162
Brown	24	96	Stock	731164
Green	40	160	Stock	731156
Grey	24	96	Stock	731167
Red	24	96	Stock	731168
Brick Red	24	96	Stock	731169
Light Grey	24	80	Stock	731161



### VILPE® COWL 160

**Description:** Rain cowl for VILPE® pipe with external Ø 160 mm (i.e. insulated pipe for duct sizes Ø 110 or Ø 125 mm). The cowl attached to an insulated pipe Ø 110 serves as a radon ventilator.

**Contents:** Cowl.

Black	12	48	Stock	731842
Brown	12	48	Stock	731844
Green	22	88	Stock	731836
Grey	12	48	Stock	731847
Red	12	48	Stock	731848
Brick Red	12	48	Stock	731849
Light Grey	12	48	Stock	731841



### VILPE® AP COWL 160

**Usage:** Rain cowl for VILPE® 160P/500 Ventilation pipe with external dimensions Ø 160 mm.

**Contents:** Cowl.

Black		48	Stock	73162
Brown		48	Stock	731634
Grey		48	Stock	731637
Red		48	Stock	731638
Brick Red		48	Stock	731639



## P-Series - Traditional Design Exhaust ventilation pipes

### VILPE® 75P/IS/500 CENTRAL VACUUM CLEANER EXHAUST

**Description:** Insulated exhaust ventilation pipe for a central vacuum cleaner. With a cowl. A VILPE® pass-through according to the roofing material is required separately.

**Dimensions:** Duct size Ø 75 mm, external Ø 110 mm, height above roof approx. 700 mm.

**Contents:** Exhaust ventilation pipe, cowl, adapter Ø 44/50, screws.

Colour	Pcs/pack	Pcs/pallet	Delivery	Product No.
Black	1	9	Stock	74222
Brown	1	9	Order	74224
Grey	1	9	Stock	74227
Red	1	9	Order	74228
Brick Red	1	9	Stock	74229



### VILPE® 125P/IS/500 EXHAUST VENTILATION PIPE

**Description:** Insulated exhaust ventilation pipe with a cowl. Inner pipe is made of galvanized steel and has a lip seal. A VILPE® pass-through according to the roofing material is required separately.

**Dimensions:** Duct size Ø 125 mm, external Ø 160 mm, height above roof approx. 500 mm.

Exhaust ventilation pipe, cowl, screws.

Black	1	24*	Stock	734402
Brown	1	24*	Stock	734404
Green	1	24*	Stock	734406
Grey	1	24*	Stock	734407
Red	1	24*	Stock	734408
Brick Red	1	24*	Stock	734409



\*EUR-240





# P-Series - Traditional Design Exhaust ventilation pipes

VILPE®

## VILPE® 160P/IS/500 EXHAUST VENTILATION PIPE

**Description:** Insulated exhaust ventilation pipe with a cowl. Inner pipe is made of galvanized steel and has a lip seal. A VILPE® pass-through according to the roofing material is required separately.

**Dimensions:** Duct size Ø 160 mm, external Ø 225 mm, height above roof approx. 500 mm.

**Contents:** Exhaust ventilation pipe, cowl, screws.

## VILPE® 160P/IS/500 XL EXHAUST VENTILATION PIPE

**Description:** Insulated exhaust ventilation XL pipe with a cowl. Inner pipe is made of galvanized steel and has a lip seal. A VILPE® XL pass-through according to the roofing material is required separately.

**Dimensions:** Duct size Ø 160 mm, external Ø 300 mm, height above roof approx. 500 mm.

**Contents:** Exhaust ventilation pipe, cowl, screws.

## VILPE® 200P/IS/500 XL EXHAUST VENTILATION PIPE

**Description:** Insulated exhaust ventilation XL pipe with a cowl. Inner pipe is made of galvanized steel and has a lip seal. A VILPE® XL pass-through according to the roofing material is required separately.

**Dimensions:** Duct size Ø 200 mm, external Ø 300 mm, height above roof approx. 500 mm.

**Contents:** Exhaust ventilation pipe, cowl, screws.

## VILPE® 250P/IS/500 XL EXHAUST VENTILATION PIPE

**Description:** Insulated exhaust ventilation XL pipe with a cowl. Inner pipe is made of galvanized steel and has a lip seal. A VILPE® XL pass-through according to the roofing material is required separately.

**Dimensions:** Duct size Ø 250 mm, external Ø 300 mm, height above roof approx. 500 mm.

**Contents:** Exhaust ventilation pipe, cowl, screws.

Colour	Pcs/pack	Pcs/pallet	Delivery	Product No.
Black	1	24*	Stock	741692
Brown	1	24*	Stock	741694
Green	1	24*	Stock	741696
Grey	1	24*	Stock	741697
Red	1	24*	Stock	741698
Brick Red	1	24*	Stock	741699
Light Grey	1	12	Stock	741691
Anthracite	1	24*	Order	74169G



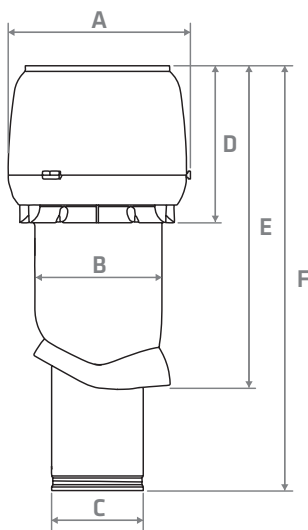
Black	1	15	Order	741782
Brown	1	15	Order	741784
Green	1	15	Order	741786
Grey	1	15	Order	741787
Red	1	15	Order	741788
Brick Red	1	15	Order	741789



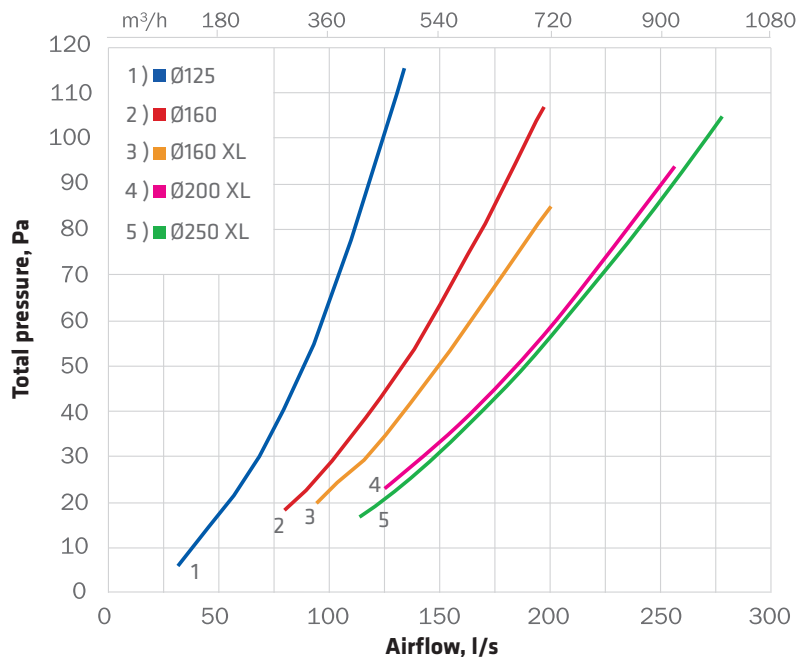
Black	1	6	Stock	741712
Brown	1	6	Stock	741714
Green	1	6	Order	741716
Grey	1	6	Stock	741717
Red	1	6	Order	741718
Brick Red	1	6	Order	741719



Black	1	6	Stock	741762
Brown	1	6	Stock	741764
Green	1	6	Order	741766
Grey	1	6	Stock	741767
Red	1	6	Order	741768
Brick Red	1	6	Order	741769



mm	A	B	C	D	E	F
75P/IS/500	202	110	75	193	708	767
125P/IS/500	256	158	125	221	550	697
160P/IS/500	310	225	160	273	564	738
160P/IS/500 XL	400	305	160	370	622	755
200P/IS/500 XL	400	305	200	370	622	755
250P/IS/500 XL	400	305	250	370	622	710





# S-Series - Traditional Design Exhaust ventilation pipes

Colour	Pcs/pack	Pcs/pallet	Delivery	Product No.
Black	1	24	Stock	741802
Brown	1	24	Stock	741804
Green	1	24	Order	741806
Grey	1	24	Stock	741807
Red	1	24	Order	741808
Brick Red	1	24	Order	741809

## VILPE® 125S 250X250 EXHAUST VENT

**Description:** Exhaust vent for a flat surface.  
**Dimensions:** Duct size Ø 125 mm, installation set 250 x 250 mm. The installation area must be at least the same size.  
**Contents:** Exhaust vent, installation set, adapter and screws.



Black	1	18	Stock	741822
Brown	1	18	Stock	741824
Green	1	18	Order	741826
Grey	1	18	Stock	741827
Red	1	18	Order	741828
Brick Red	1	18	Order	741829

## VILPE® 160S 300X300 EXHAUST VENT

**Description:** Exhaust vent for a flat surface.  
**Dimensions:** Duct size Ø 160 mm, installation set 300 x 300 mm. The installation area must be at least the same size.  
**Contents:** Exhaust vent, installation set, adapter and screws.



Black	1	8	Stock	741842
Brown	1	8	Order	741844
Green	1	8	Order	741846
Grey	1	8	Stock	741847
Red	1	8	Order	741848
Brick Red	1	8	Order	741849

## VILPE® 200S 400X400 EXHAUST VENT

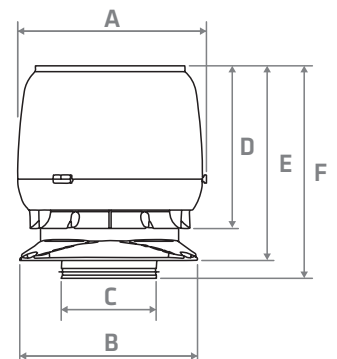
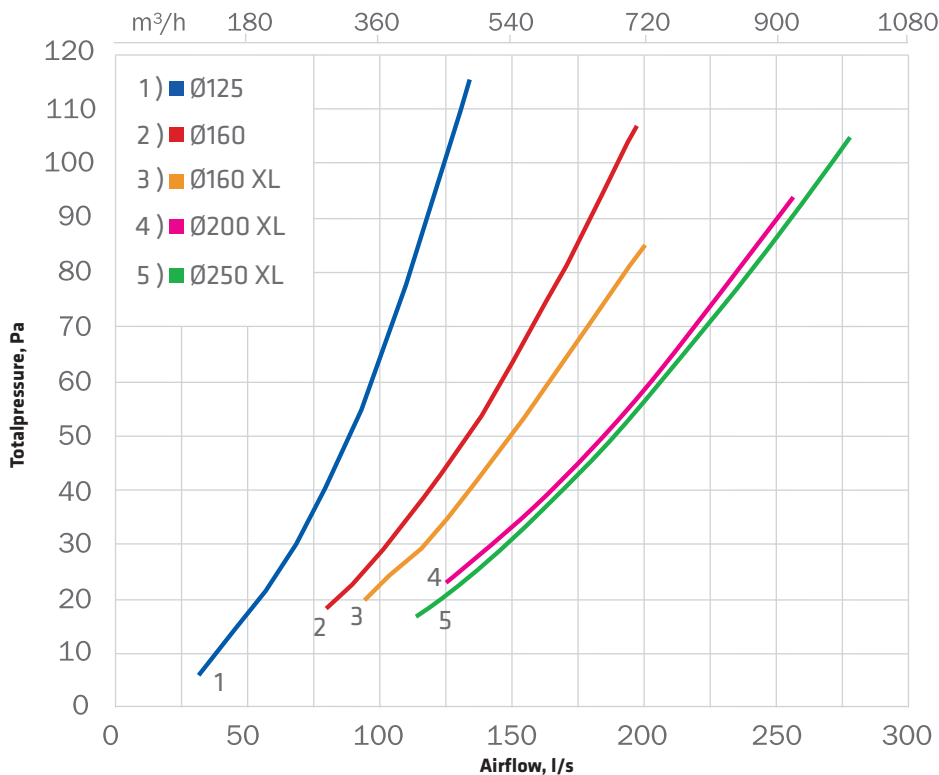
**Description:** Exhaust vent for a flat surface.  
**Dimensions:** Duct size Ø 200 mm, installation set 400 x 400 mm. The installation area must be at least the same size.  
**Contents:** Exhaust vent, installation set, adapter and screws.



Black	1	8	Stock	741862
Brown	1	8	Order	741864
Green	1	8	Order	741866
Grey	1	8	Stock	741867
Red	1	8	Order	741868
Brick Red	1	8	Order	741869

## VILPE® 250S 400X400 EXHAUST VENT

**Description:** Exhaust vent for a flat surface.  
**Dimensions:** Duct size Ø 250 mm, installation set 400 x 400 mm. The installation area must be at least the same size.  
**Contents:** Exhaust vent, installation set, adapter and screws.



mm	A	B	C	D	E	F
125S	256	250	125	193	269	322
160S	310	300	160	273	328	358
200S	400	400	200	370	444	481
250S	400	400	250	370	444	497





## P-series pass-throughs: 75 - 160 mm

### VILPE® TILE PASS-THROUGH

**Description:** The most common concrete tile roofing types. Replaces one 2-wave concrete tile with width of 330 mm and wave height of 27-40 mm.

**Contents:** Pass-through, underlay ring, screws, installation instructions.

Colour	Pcs/pack	Pcs/pallet	Delivery	Product No.
Black	1	24	Stock	74011
Brown	1	24	Stock	74013
Green	1	24	Order	74019
Grey	1	24	Stock	74017
Red	1	24	Stock	74015
Brick Red	1	24	Stock	74021
Light Grey	1	24	Order	74012
Anthracite	1	24	Order	7401G



### VILPE® UNITILE PASS-THROUGH NEW

**Description:** All tile roofings (ceramic, clay, concrete and special tiles, 1- and 2-wave tiles and plain tiles).

**Contents:** Pass-through, underlaying, upper edge seal set, bottom bracket, screws, installation instructions/template for the underlay seal and the pass-through.

Black	1	12	Stock	740902
Brown	1	12	Stock	740904
Grey	1	12	Stock	740907
Red	1	12	Stock	740908
Brick Red	1	12	Stock	740909
Anthracite	1	12	Order	74090G



### VILPE® VITTINGE PASS-THROUGH

**Description:** Vittinge clay tile roofing.

**Contents:** Pass-through, underlay ring, screws, installation instructions.

Brick Red	1	24	Stock	74009
Brick Red	1	24	Stock	74010



### VILPE® CLASSIC VINO PASS-THROUGH

**Description:** Plain standing seam roofing or if retrofitted, also felt roofing. Thick rubber seal on the bottom of the flange. Sealing compound (not incl.) required on felt roofing. Replaces VILPE® Classic pass-through. Minimum roof pitch 1:5 (11,5°).

**Contents:** Pass-through, underlaying, screws, installation instructions/templates for the underlay seal and the pass-through.

Black	1	24	Stock	746022
Brown	1	24	Stock	746024
Green	1	24	Order	746026
Grey	1	24	Stock	746027
Red	1	24	Stock	746028
Brick Red	1	24	Stock	746029
Light Grey	1	24	Stock	746021



### VILPE® CLASSIC PASS-THROUGH

**Description:** Plain standing seam or felt roofing when retrofitted. Thick rubber seal on the bottom of the flange. Sealing compound (not incl.) required on felt roofing. Minimum roof pitch 1:5 (11,5°).

**Contents:** Pass-through, underlay ring, screws, template/installation instructions.

Black	1	36	Stock	732562
Brown	1	84	Stock	732564
Green	1	36	Stock	732566
Grey	1	36	Stock	732567
Red	1	36	Stock	732568
Brick Red	1	36	Stock	732569
Light Grey	1	36	Stock	732561
Anthracite	1	36	Order	73256G



### VILPE® PROFILED STEEL PASS-THROUGH

**Description:** All round profiled metal sheet roofing types (tilepatterned). Minimum length of tile pattern 350 mm. Mouldable and fully waterproof thanks to the rubber seal on the bottom surface.

**Contents:** Pass-through, underlay ring, sealing compound, screws, installation instructions/template.

Black	1	36	Stock	75172
Brown	1	84	Stock	75174
Green	1	36	Stock	75176
Grey	1	36	Stock	75177
Red	1	84	Stock	75178
Brick Red	1	36	Stock	75179
Anthracite	1	36	Order	7517G





## P-series pass-throughs: 75 - 160 mm

	Colour	Pcs/pack	Pcs/pallet	Delivery	Product No.	
<b>VILPE® STEEL PASS-THROUGH</b>  <b>Description:</b> Low profiled metal sheet roofing. Waterproof thanks to the rubber cone with the mouldable aluminium flange. <b>Contents:</b> Pass-through, underlay ring, sealing ring, sealing compound, screws, template/installation instructions.	Black	1	18	Stock	73552	
	Brown	1	18	Stock	73554	
	Green	1	18	Stock	73558	
	Grey	1	18	Stock	73557	
	Red	1	18	Stock	73556	
	Brick Red	1	18	Stock	73559	
	Light Grey	1	18	Stock	73551	
<b>VILPE® AALTO PASS-THROUGH</b>  <b>Description:</b> Ruukki's Adamante or similar metal sheet roofing. <b>Contents:</b> Pass-through, underlay ring, sealing compound, screws, installation instructions/ templates for the underlay seal and the pass-through.	Black	1	24	Order	740802	
	Brown	1	24	Order	740804	
	Green	1	24	Order	740806	
	Grey	1	24	Order	740807	
	Red	1	24	Order	740808	
	Brick Red	1	24	Order	740809	
<b>VILPE® NERA PASS-THROUGH</b>  <b>Description:</b> Ruukki's Finnera or Finnera Plus or similar roofing. Formerly called VILPE® SPT 60 pass-through or Finnera Plus. <b>Contents:</b> Pass-through, underlay ring, sealing compound, screws, template.	Black	1	24	Stock	740762	
	Brown	1	24	Stock	740764	
	Green	1	24	Order	740766	
	Grey	1	24	Stock	740767	
	Red	1	24	Stock	740768	
	Brick Red	1	24	Stock	740769	
<b>VILPE® DECRA PASS-THROUGH</b>  <b>Description:</b> Decra roofing. <b>Contents:</b> Pass-through, underlay ring, sealing compound, screws, template.	Black	1	24	Stock	732612	
	Brown	1	24	Stock	732614	
	Grey	1	24	Order	732617	
	Red	1	24	Order	732618	
	Brick Red	1	24	Stock	732619	
<b>VILPE® HS SLATE PASS-THROUGH</b>  <b>Description:</b> Slate, shingle and felt roofing types. Replaces VILPE® Felt pass-through. Minimum roof pitch 1:5 (11,5°). <b>Contents:</b> Pass-through, screws, installation instructions.	Black	1	20	Stock	741062	
	Brown	1	20	Stock	741064	
	Green	1	20	Stock	741066	
	Grey	1	20	Stock	741067	
	Red	1	20	Stock	741068	
<b>VILPE® FELT TALL PASS-THROUGH</b>  <b>Description:</b> Felt roofing types while roof pitch less than 1:5 (11.5 degrees). <b>Dimensions:</b> Stem height 200 mm. <b>Contents:</b> Pass-through.	Black	14	56	Stock	740752	
	Grey	14	56	Stock	740757	
<b>VILPE® COLLAR EPDM for Felt Tall pass-through</b>  <b>Description:</b> For easy installation of Felt Tall pass-through on EPDM roofing. <b>Contents:</b> Collar made of EPDM material.				Stock	75700	



## P-series pass-throughs: 75 – 160 mm

Colour Pcs/pack Pcs/pallet Delivery Product No.

### VILPE® ETERNIT B9 PASS-THROUGH

**Description:** Fibre-cement roofing with tile width and wave height of 177 mm and 57 mm.  
**Contents:** Pass-through.

Black 50 Stock 74007



### VILPE® UNDERLAY RING

**Description:** Fastening of underlay material to roof battens, in set with VILPE® pass-through. Keeps water out of structures and insulation. More advanced solution: VILPE® Underlay 2K Seal.  
**Contents:** Underlay ring.

Black 50 200 Stock 73202



## P-series pass-throughs: 160 – 250 mm

Colour Pcs/pack Pcs/pallet Delivery Product No.

### VILPE® XL TILE PASS-THROUGH

**Description:** The most common concrete tile roofing types. Replaces two 2-wave concrete tiles up to width of 330 mm and wave height of 27–40 mm.  
**Contents:** Pass-through, XL sealing ring, screws.

Black 1 6 Stock 740102  
Brown 1 6 Stock 740104  
Grey 1 6 Stock 740107  
Red 1 6 Stock 740108  
Brick Red 1 6 Stock 740109



### VILPE® XL UNIVERSAL PASS-THROUGH

**Description:** All profiled steel and tile roofing types. Cut on site to fit the roofing profile.  
**Contents:** Pass-through, two-piece XL underlay ring, screws, installation instructions.

Black 1 4 Stock 735502  
Brown 1 4 Stock 735504  
Green 1 4 Stock 735506  
Grey 1 4 Stock 735507  
Red 1 4 Stock 735508  
Brick Red 1 4 Stock 735509



### VILPE® XL UNIVERSAL MK1 PASS-THROUGH

**Description:** Profiled steel roofing with tile pattern that has wave distance of 183.3 mm, wave length of 350 mm and wave height of 39 mm.  
**Contents:** Pass-through, XL underlay ring, screws, installation instructions.

Black 1 4 Stock 735512  
Brown 1 4 Stock 735514  
Grey 1 4 Stock 735517  
Red 1 4 Stock 735518



### VILPE® XL CLASSIC PASS-THROUGH

**Description:** Plain standing seam roofing or if retrofitted, also felt roofing. Thick rubber seal under the flange. Minimum roof pitch 1:5 (11,5°).  
**Contents:** Pass-through, two-piece XL underlay ring, template, sealing compound, screws.

Black 1 12 Stock 732542  
Brown 1 12 Stock 732544  
Green 1 12 Order 732546  
Grey 1 12 Stock 732547  
Red 1 12 Stock 732548  
Brick Red 1 12 Stock 732549



### VILPE® XL FELT PASS-THROUGH

**Description:** Felt roofing. Installed between two felt layers. Minimum roof pitch 1:5 (11,5°).  
**Dimensions:** Flange width 150 mm.  
**Contents:** Pass-through.

Black 5 20 Stock 740042  
Brown 5 20 Stock 740044  
Grey 5 20 Stock 740047  
Brick Red 5 20 Order 740049



### VILPE® XL FELT TALL PASS-THROUGH

**Description:** Felt roofing with roof pitch less than 1:5 (11.5 degrees).  
**Dimensions:** Stem height 300 mm.  
**Contents:** Pass-through.

Black 50\* Stock 740052  
Grey 50\* Stock 740057



\*EUR-240



## P-series pass-throughs: 160 – 250 mm

Colour      Pcs/pack      Pcs/pallet      Delivery      Product No.

### VILPE® XL UNDERLAY RING

Black      1      100      Stock      73204

**Description:** Fastening of underlay material to roof battens, in set with VILPE® XL pass-throughs. Keeps water out of structures and insulation.

**Contents:** Two-piece XL Underlay ring.



VILPE®

## VILPE® - maximal roof pitches for P-series pass-throughs

Pass-through	Pipe XL Pass-through	Ø 110 mm	Ø 125 mm	Ø 160 mm	Ø 160 mm XL	Ø 200 mm XL	Ø 250 mm XL
		Tile 2K / Tiili	XL Tile	40° / 48°	37° / 48°	32° / 37°	47°
Unitile 2K / Unitile	-	48° / 57°	46° / 57°	43° / 52°	-	-	-
Vitlinge 1-w	-	45°	40°	30°	-	-	-
Vitlinge 2-w	-	55°	50°	35°	-	-	-
Profiled steel 2K / Profiled steel	XL Universal MK1	43° / 50°	40° / 45°	36° / 40°	47°	47°	47°
Steel	XL Universal	45°	40°	27°	47°	47°	47°
Classic	XL Classic	55°	55°	48°	47°	47°	47°
Classic Vino 2K	-	48°	46°	43°	-	-	-
HS Slate	-	59°	57°	52°	-	-	-
Felt	XL Felt	50°	50°	45°	47°	48°	45°
Felt Tall	XL Felt Tall	*	*	*	*	*	*
Decra	-	45°	45°	45°	-	-	-
Eternit B9	-	45°	45°	45°	-	-	-
Nera	-	57°	57°	50°	-	-	-
Evo 2K	-	39°	38°	30°	-	-	-
Aalto 2K	-	55°	50°	45°	-	-	-

P-series pass-throughs are for roofs with pitches of more than 1:5 (11.5°), unless stated otherwise.

On maximal roof pitches make sure that the roof structure does not prevent the installation.

\* The Felt pass-through tall is designed for installation on roofs with a pitch of less than 1:5 (11.5°). For the steeper roofs the normal Felt pass-through suits better.

Note! The roof pitches in the table are suggestive values. In extreme situations, the height of the roofing profile or the installation point of the underlay seals affects the values.

## Alipai underpressure vents

	Colour	Pcs/pack	Pcs/pallet	Delivery	Product No.
<b>VILPE® ALIPAI 110 UNDERPRESSURE AIR VENT</b>					
<b>Description:</b> Underpressure ventilation pipe for ventilating roof structures of a low-pitched felt roof. Installed with hot bitumen between two felt layers. <b>Dimensions:</b> Ø 110 mm, height 464 mm. Width of the flange 150 mm. <b>Contents:</b> Underpressure ventilation pipe, cowl.	Black	11	88*	Stock	73010
	Dark grey	11	88*	Stock	730104
	Light Grey	11	88*	Stock	730105
<b>VILPE® ALIPAI 160 UNDERPRESSURE AIR VENT</b>					
<b>Description:</b> Underpressure ventilation pipe for ventilating roof structures of a low-pitched felt roof. Installed with hot bitumen between two felt layers. <b>Dimensions:</b> Ø 160 mm. Width of the flange 150 mm. <b>Contents:</b> Underpressure ventilation pipe, AP cowl.	Black	4	32	Stock	73016
<b>VILPE® ALIPAI RIDGE 27</b>					
<b>Description:</b> Underpressure air ridge vent for ventilating roof structures of a felt roof with pitch of 27 degrees. <b>Dimensions:</b> Height 480/450/500 mm. <b>Contents:</b> Underpressure air vent, cowl.	Black	4	20	Order	730130
	Black	4	32*	Stock	73018
<b>VILPE® ALIPAI RIDGE 14</b>					
<b>Description:</b> Underpressure air ridge vent for ventilating roof structures of a felt roof with pitch of 14 degrees. <b>Dimensions:</b> Height 464 mm. <b>Contents:</b> Underpressure air vent, cowl.	Black	5	20	Order	730420
<b>VILPE® ALIPAI LOW-PITCHED/INCLINED</b>					
<b>Description:</b> Underpressure air vent for ventilating roof structures of a gently sloping felt roof (with pitch of 0-20 degrees). <b>Dimensions:</b> Height 640/620/1000 mm, stem height 200 mm. <b>Contents:</b> Felt Tall pass-through, underpressure air vent pipe, cowl, screws.	Black	7	28	Stock	73014
	Black	5	20	Stock	73017
	Black	3	24*	Stock	73020
<b>VILPE® ALIPAI INCLINED</b>					
<b>Description:</b> Underpressure air vent for ventilating roof structures of an inclined felt roof (with pitch of over 11.5 degrees). <b>Dimensions:</b> Height 686 mm. <b>Contents:</b> Felt pass-through, underpressure air vent pipe, cowl.	Black	7	56*	Stock	73012



## Roof drains

	Model	Pcs/pack	Pcs/pallet	Delivery	Product No.	
<b>VILPE® AM ROOF OUTLET BITUMEN</b> <b>Description:</b> For all multiple and single-ply bitumen felt roofings. AM-75 roof outlets can be used either for a symphonic system or a conventional system. <b>Contents:</b> Outlet, leaf grating, sealing compound.	Ø 75 mm	8	64*	Stock	72007	
	Ø 90 mm	8	32	Order	72009	
	Ø 110 mm	8	64*	Stock	72011	
	Ø 110/630 mm	5	35	Order	72012	
	Ø 160 mm	6	48	Stock	72013	
<b>VILPE® AM ROOF OUTLET PROTAN DARK GREY</b> <b>Description:</b> For Protan roofing. <b>Contents:</b> Outlet, leaf grating, sealing compound.	Ø 110 mm	8	64*	Order	72048	
	Ø 160 mm	6	48*	Order	72049	
	Ø 110/630 mm	5	35	Order	72062	
<b>VILPE® AM ROOF OUTLET PROTAN LIGHT GREY</b> <b>Description:</b> For Protan roofing. <b>Contents:</b> Outlet, leaf grating, sealing compound.	Ø 110 mm	8	32	Order	72052	
	Ø 160 mm	6	48*	Order	72053	
<b>VILPE® AM ROOF OUTLET ALKORPLAN LIGHT GREY</b> <b>Description:</b> For Alkorplan roofing. <b>Contents:</b> Outlet, leaf grating, sealing compound.	Ø 110 mm	8	64*	Stock	72044	
	Ø 110/630 mm	5	35	Order	72045	
<b>VILPE® AM THERMOCABLE 230V / 14W</b> <b>Description:</b> For heating of AM roof outlet <b>Contents:</b> Thermocable	AM-outlets Ø 50/75/90/110			Order	72000	
	AM-outlets Ø 160			Order	72001	
<b>VILPE® AM LEAF GRATING</b> <b>Description:</b> Prevents leaves and other debris from entering the roof outlet. <b>Contents:</b> Leaf grating.				Order	72130	
<b>VILPE® AM SYMPHONIC GRATING</b> <b>Description:</b> Prevents leaves and other debris from entering the roof outlet. <b>Contents:</b> Symphonic grating.		100	400	Order	72140	
<b>VILPE® CM ROOF OUTLET</b> <b>Description:</b> For bitumen felt roofing. The 150 mm wide flange is installed between two felt layers. <b>Contents:</b> Outlet, leaf grating.	Ø 75 mm	18	72	Stock	72407	
	Ø 110 mm	20	80	Stock	72411	
<b>VILPE® LEAF GRATING BALL</b> <b>Description:</b> Prevents leaves and other trash from entering the roof outlet. Suitable for 75 - 125 mm roof outlets. <b>Contents:</b> Leaf grating.				Stock	72424	
<b>VILPE® CM LEAF GRATING</b> <b>Description:</b> Prevents leaves and other debris from entering the roof outlet. <b>Contents:</b> Leaf grating.		50	400	Order	72420	
				Order	72422	

\*EUR-240





# General Terms of Sale

## 1. Applicability

These terms are the general terms of sale of VILPE Oy. If these terms have been approved once in a trade between the parties, they shall be regarded as approved also in subsequent trades. If one party has in fact been informed of the terms based on a previous trade, the terms shall apply also to the first trade, even if the terms have not been specifically approved. These terms do not apply to agency trade.

## 2. Closing a Sale

### 2.1. Tender

The Supplier's tender is valid for the period mentioned in the tender. If no validity period has been mentioned, it is 30 days. All pictures, drawings, calculations and other documents related to the tender remain the Supplier's property. The recipient of the tender may not use them to the Supplier's disadvantage, disclose them to a third party or otherwise utilise them.

### 2.2. Order

In an order-based sale, an agreement is made when the Buyer indicates approval of the Supplier's tender as such. Otherwise, the sale is closed after the Supplier has confirmed the order or delivered the item(s).

## 3. Supplier's Responsibilities

### 3.1. Delivery Time

Unless otherwise agreed, the delivery time shall be considered to start at the below-mentioned time that is the latest:

- a) Date of the agreement
- b) In sales requiring an official permit, the date the Supplier received the permit declaration
- c) Date the agreed security or advance payment was given
- d) Date the Buyer supplied the information required for the delivery

### 3.2. Terms of Delivery

EXW Mustasaari Finland (Incoterms 2010). Additional pallet charge.

### 3.3. Warranty

The sold goods have a valid warranty according to the manufacturer's terms.

### 3.4. Properties of Product

The Supplier is responsible for the quality and other properties of a product only according to the information specified in the agreement and other information provided by the Supplier. The Buyer is responsible for the correctness of the information provided to the Supplier concerning the application of the product. With respect to product liability, the Buyer shall carefully study all the Supplier's specifications, instructions and descriptions concerning the product and act according to the limitations they require. The products shall absolutely be used only in the manner and in the applications they are intended for. If there is any uncertainty, the Buyer shall establish the suitability of the product for the intended use. When using the product, all instructions provided separately by the Supplier and common caution shall be followed. With respect to both product liability and product safety, the Buyer shall inform a new buyer of the matters known to him in case of a resale or transfer. The Supplier shall be immediately notified in writing of all issues related to product liability and product safety, and legal proceedings shall be initiated within three (3) years after the Buyer first became aware of any damage or liability for damages.

### 3.5. Indirect Damage

The Supplier is not liable for indirect damage to the Buyer due to a delay or faults in the delivery.

## 4. Buyer's Liability

### 4.1. Selling Price

The selling price is the price agreed by the parties. If the price has not been agreed, the selling price is the going price charged by the Supplier.

### 4.2. Term of Payment

The term of payment is determined by the common term of payment in the sector, 14 days net. Calculation of term of payment starts on the invoice date for warehouse deliveries and on delivery date for factory deliveries. Any remarks regarding the invoice must be done within 8 days from the start of the invoice date.

### 4.3. Revising the Purchase Price

The Supplier reserves the right to revise prices, should the exchange rates that directly affect the sale prices, VAT, import fees or other fees, taxes or tax-like fees independent of the Supplier change before the delivery date.

### 4.4. Interest for Delay and Collection Costs

Should the payment be delayed, an interest of 10 % is charged for the delayed time. In addition to the interest for delay, the Supplier may also recover the collection costs.

### 4.5. Securities

If giving security has been agreed, the security shall be given before the delivery of the products is started. The Supplier may require also later that a security for the sale price be paid if he has good reason to believe that the sale price or a part of it would not be paid. The Supplier may delay further deliveries until overdue payments have been paid or an acceptable security has been given. The Supplier is entitled to this also when an overdue part of the sale price has not been paid. The Buyer has no right to make any claims because of this delay.

### 4.6. Inspection of Product

The buyer is obliged to check the quantity and quality of the goods at the time of receipt and to indicate any deviations and acknowledgment of receipt. The Buyer shall immediately notify the Supplier or the carrier of a fault or a shortage in the delivery.

### 4.6. Complaint and Rectifying an Error

If a delivery is faulty in part, the Buyer shall notify the Supplier, in writing, of the error within 7 working days of the delivery date. The Supplier may primarily repair the fault or deliver a new product. The Buyer cannot require a delivery if a change has occurred in the conditions that significantly alters the relationship of the originally agreed performance obligations.

## 5. Termination

### 5.1. Buyer's Right to Terminate

If the Supplier's delivery essentially differs from what was agreed and the fault is not repaired within a reasonable time after the Buyer's written complaint, or if a new product according to the agreement is not delivered or if the delivery is delayed due to the Supplier in a manner causing unreasonable inconvenience to the Buyer, the Buyer has the right to terminate the agreement. If the product being the subject of the sale has been manufactured, purchased or packed especially for the Buyer according to his instructions and wishes and the Supplier cannot utilise the product without loss in other ways, the Buyer may cancel the sale due to the Supplier's delay only if the purpose of the sale cannot be integrally achieved because of the delay.

### 5.2. Supplier's Right to Terminate

If the selling price is not paid during the time limit, not due to the Supplier, the Supplier may cancel the sale or that part of the sale, the products of which the Buyer has not yet received, should the delay be significant. The Supplier has the right to terminate when based on the Buyer's declaration or otherwise it can be assumed that the Buyer's payment will be significantly delayed. Furthermore, the Supplier may terminate the sale if the Buyer does not contribute to the sale as agreed or otherwise reasonably expected.

### 5.3. Force Majeure

The Supplier is not liable for fulfilling the agreement if an act of God, fire, machine damage or a comparable disturbance, strike, lockout, war, mobilisation, export or import ban, lack of transport equipment, terminated manufacture, traffic disturbance or similar obstructions beyond the Supplier's control prevent the delivery of a product or its part. In addition, when fulfilling the agreement would require sacrifices unreasonable compared to the benefits to be occurred by the Buyer, the Supplier is not required to fulfil the contract. The Supplier is not liable to compensate to the Buyer any damage caused by nonfulfilment of the agreement, and he may also cancel the agreement.

## 6. Insurance

The parties shall insure the products according to the responsibilities of each party according to the agreed terms of delivery. All other insurances shall be agreed upon separately.

## 7. Transfer of Ownership

Ownership of a product is transferred to the Buyer when the full selling price has been paid and is freely available to the Supplier. An acceptance is not regarded as payment. The Supplier may at any time, without advance notice and separate payment, recover the products that have not been paid in full. If the Buyer has paid a part, both parties shall make an account within 30 days and present their calculation to the opposing party.

## 8. Declarations

The Sender is to be responsible for the reception of notifications sent to the other party.

## 9. Disputes

Any disputes due to these deliveries and interpretation of these delivery terms shall be settled at the district court of the place of domicile of the Supplier.



## VILPE Oy

Founded in 1975, VILPE Oy is the leading developer and manufacturer of ventilation equipment and speciality roof products in Finland, the Baltic countries, Russia and the Nordic countries. Our mission at VILPE Oy is to ensure fresh and clean indoor air. Optimal air quality helps to protect the structures of the house and provides a healthy living space for people and animals. VILPE Oy is committed to continuous product development, as well as customer-orientated innovation.

VILPE Oy was previously known as SK Tuote Oy. The new corporate name VILPE Oy was officially changed in autumn 2018.

## Quality and environmental commitments

Product quality and environmental values are close to our hearts here at VILPE Oy. Our product development work has resulted in products of excellent quality. Therefore, we can offer the most generous warranties on the market, i.e. a 20 year technical guarantee and a 10 year aesthetic guarantee.

We constantly look for new ways to be even more environmentally responsible and contribute to a greener world. Among our environmental goals is to constantly improve the energy-efficiency of our products, reduce the amount of waste and increase recycling of materials used in production.

The management system of VILPE Oy has been granted both the ISO 9001:2015 quality certificate and the ISO 14001:2015 environmental certificate. These certifications cover product development, manufacturing and sales of VILPE® products.

